

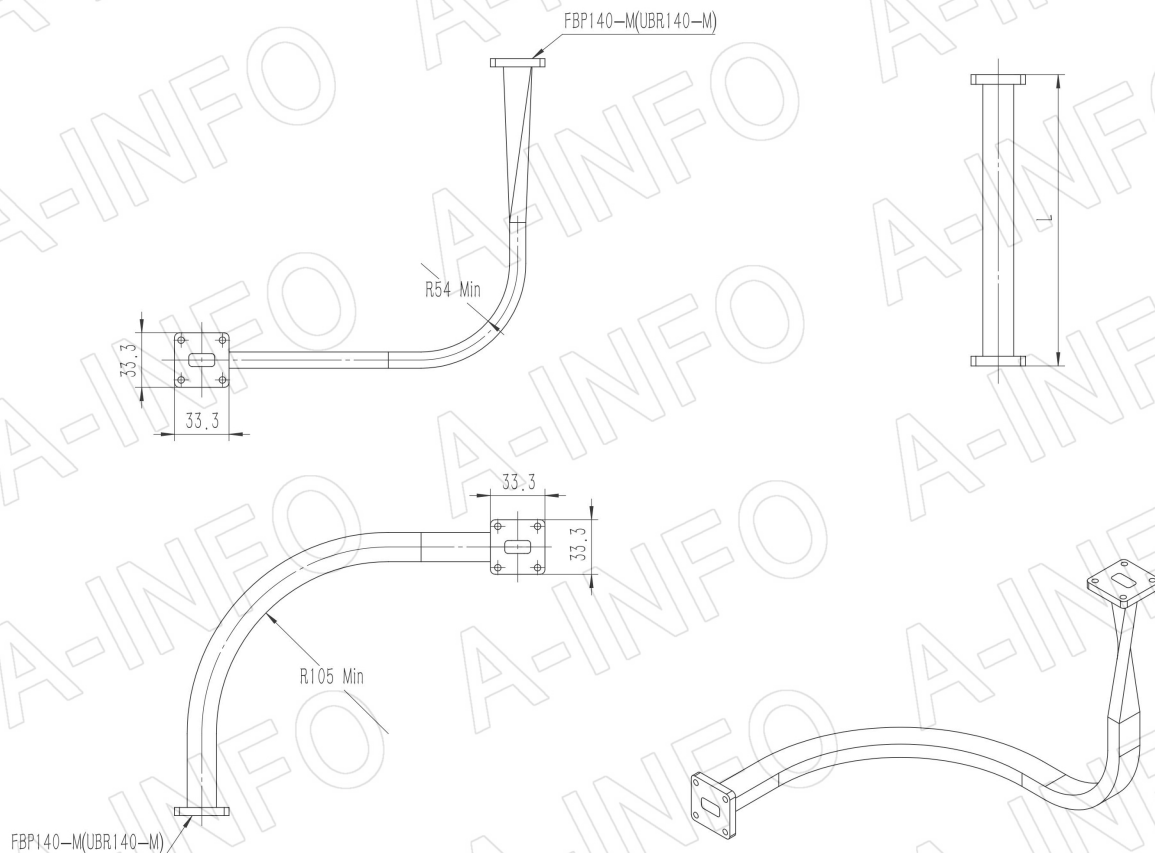
For reference only. See data sheet for the detailed specifications.

## Technical Specification

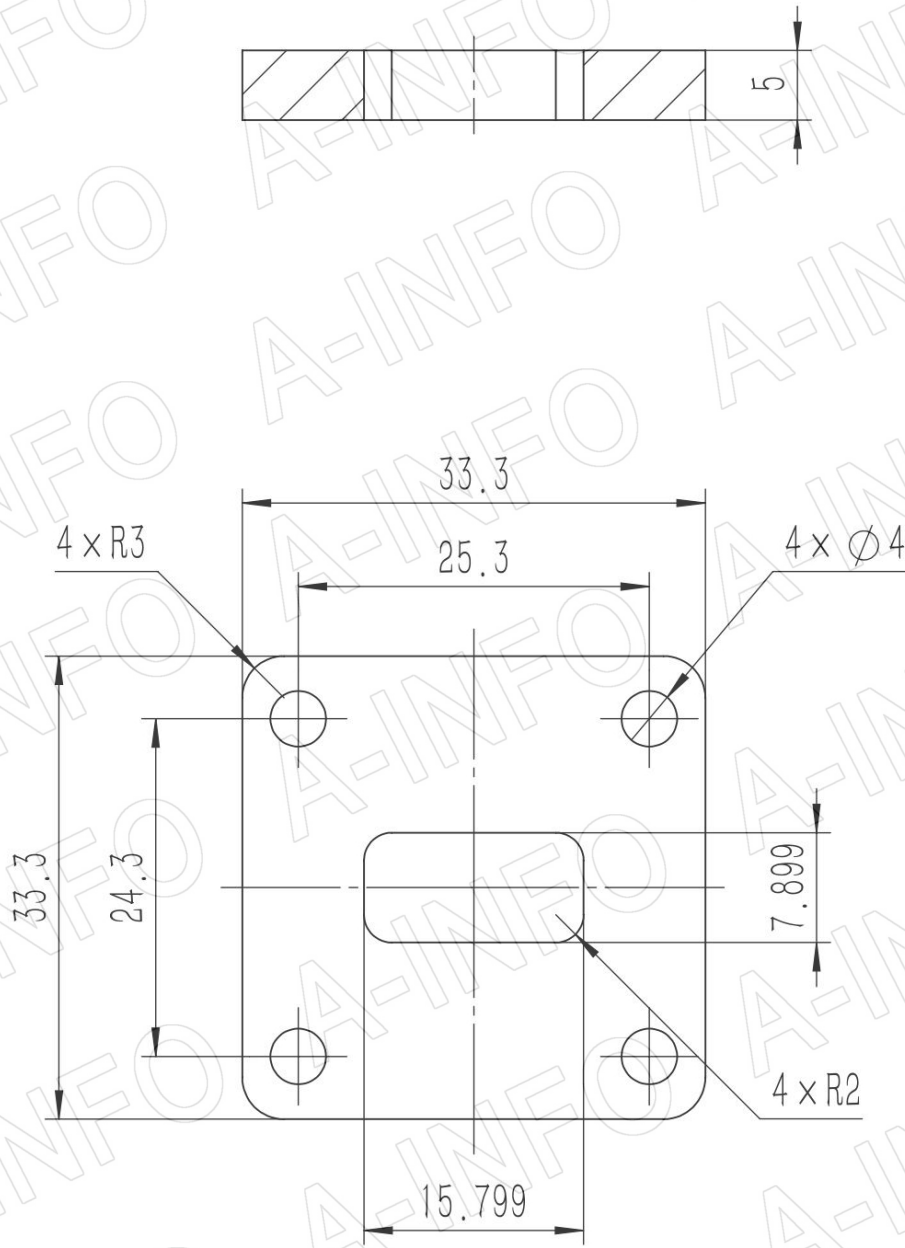


EIA WR	WR62
Frequency Range(GHz)	12.4 – 18.0
Attenuation(dB/PC)	0.3 Max.
VSWR	1.20:1 Max.
Average Power(KW CW)	0.4
Max. Twist(deg/m)	436
Min. E-Bend Radius(mm)	54
Min. H-Bend Radius(mm)	105
Flange	FBP140-M(UBR140-M)
Jacket	Rubber
Operating Temp.(°C)	-55 ~ +85
Material	Cu
Length(mm)	300
Net Weight(Kg)	0.20 Around

## Outline Drawing (Size: mm)



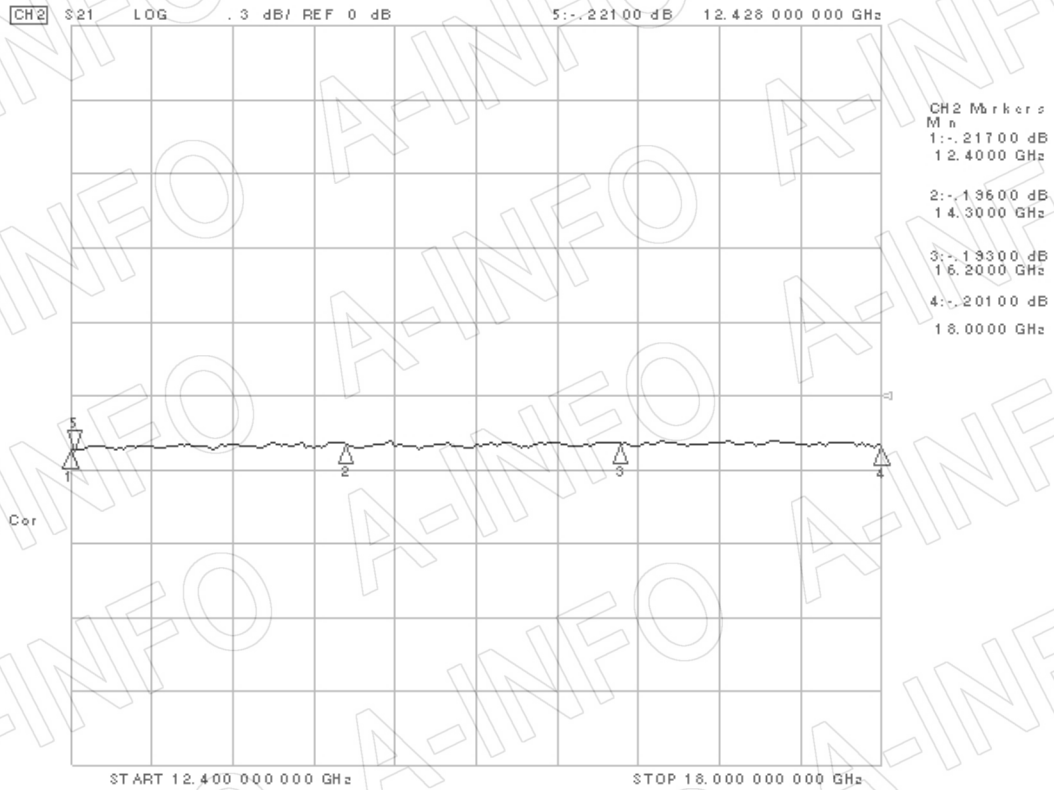
## Flange Drawing (Size: mm)



**FBP140-M**

## Test Results

Attenuation (I.L.: 0.2210dB/PC Max.)



## VSWR

